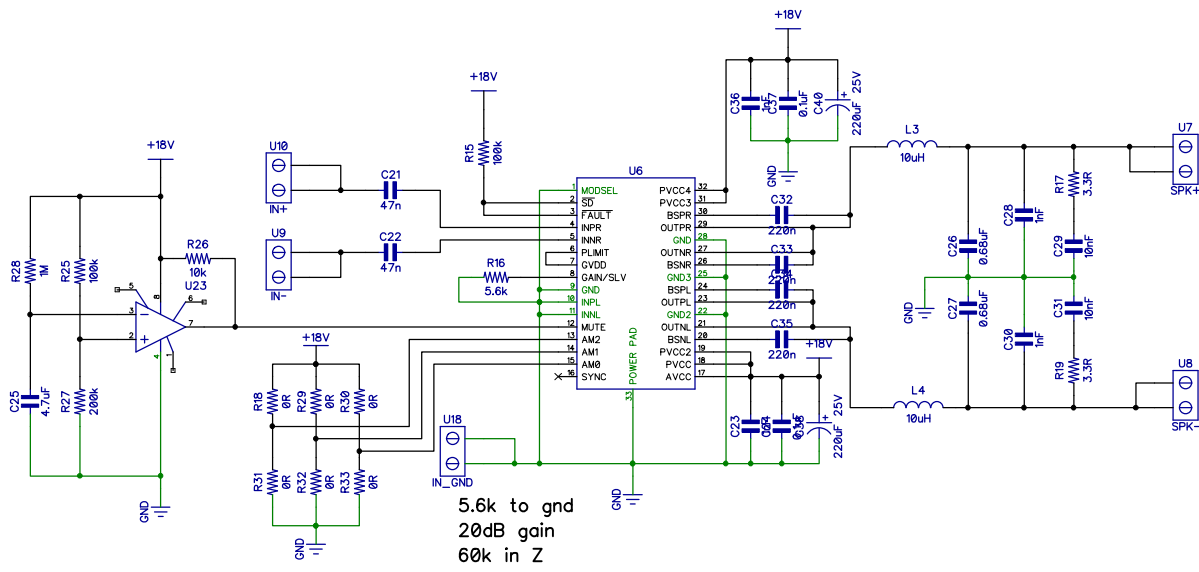


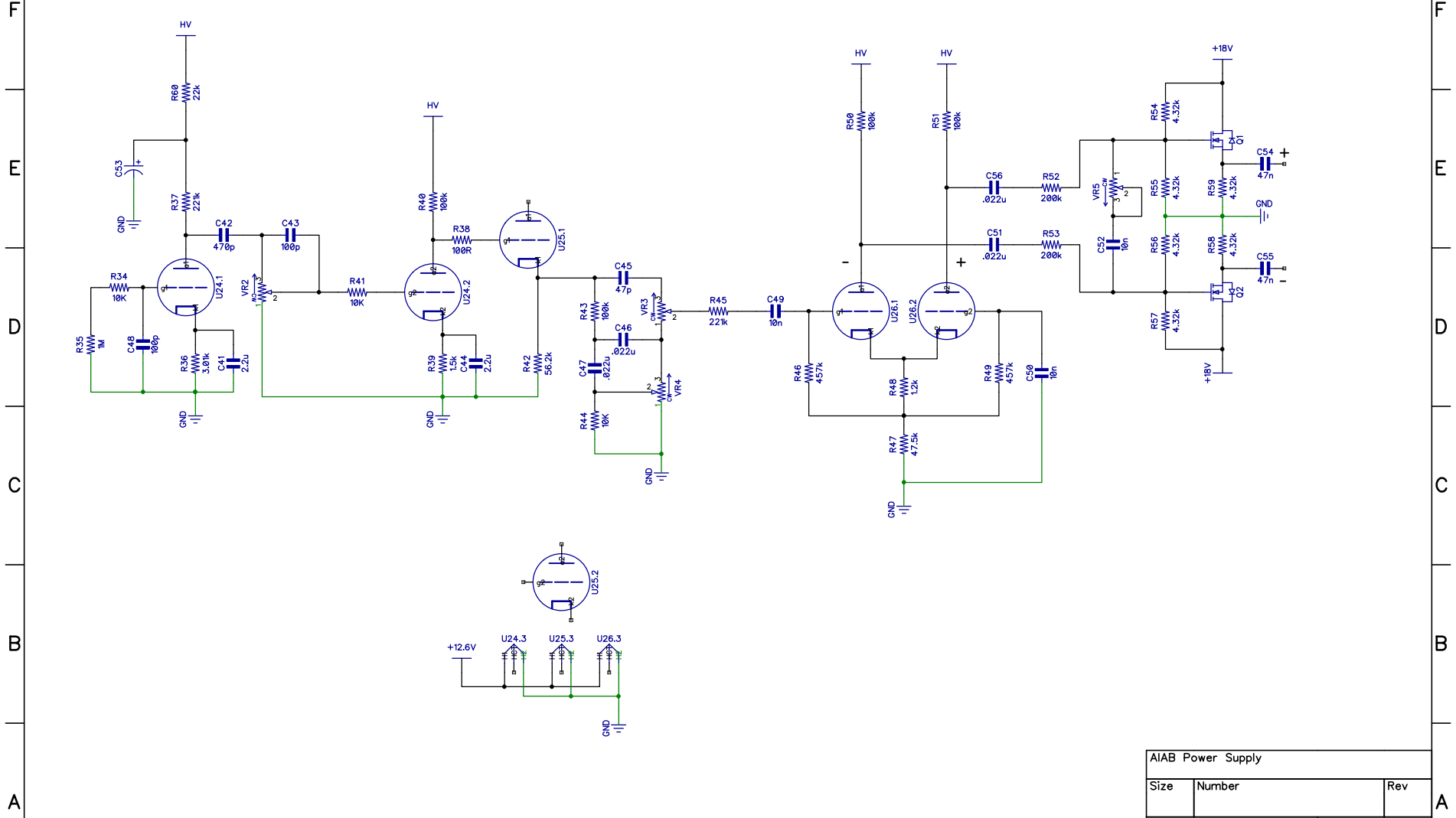
RevNo	Revision note	Date	Signature	Checked
-------	---------------	------	-----------	---------



5.6k to gnd
20dB gain
60k in Z

AIAB Power Supply		
Size	Number	Rev
Date	Drawn by	
Filename	Sheet	

RevNo	Revision note	Date	Signature	Checked
-------	---------------	------	-----------	---------



AIAB Power Supply		
Size	Number	Rev
Date	Drawn by	
Filename	Sheet	